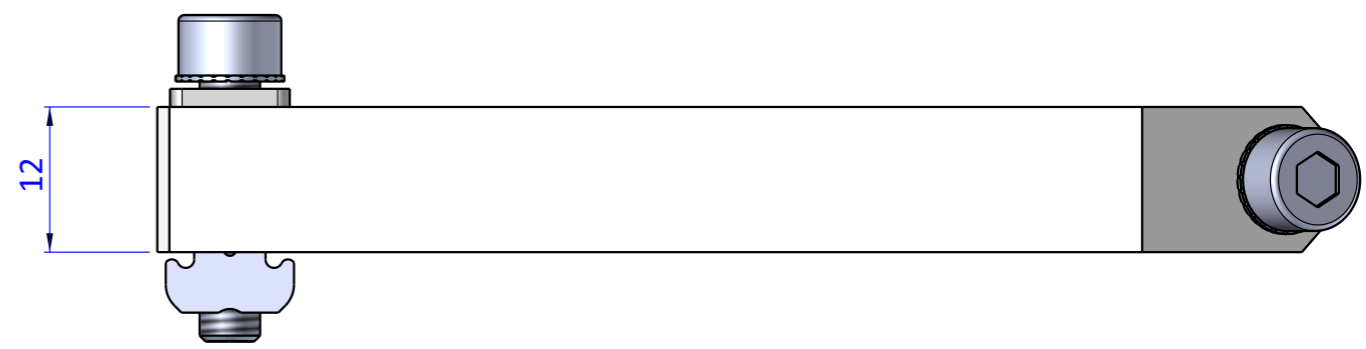
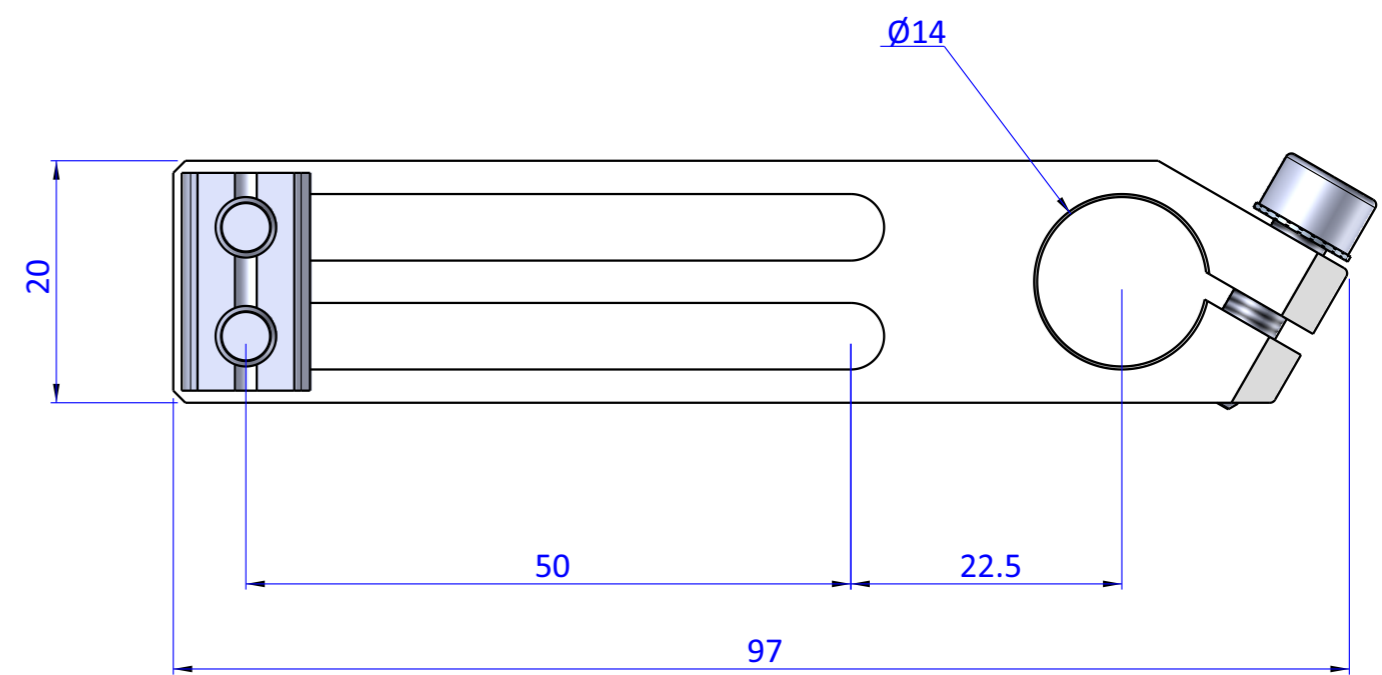
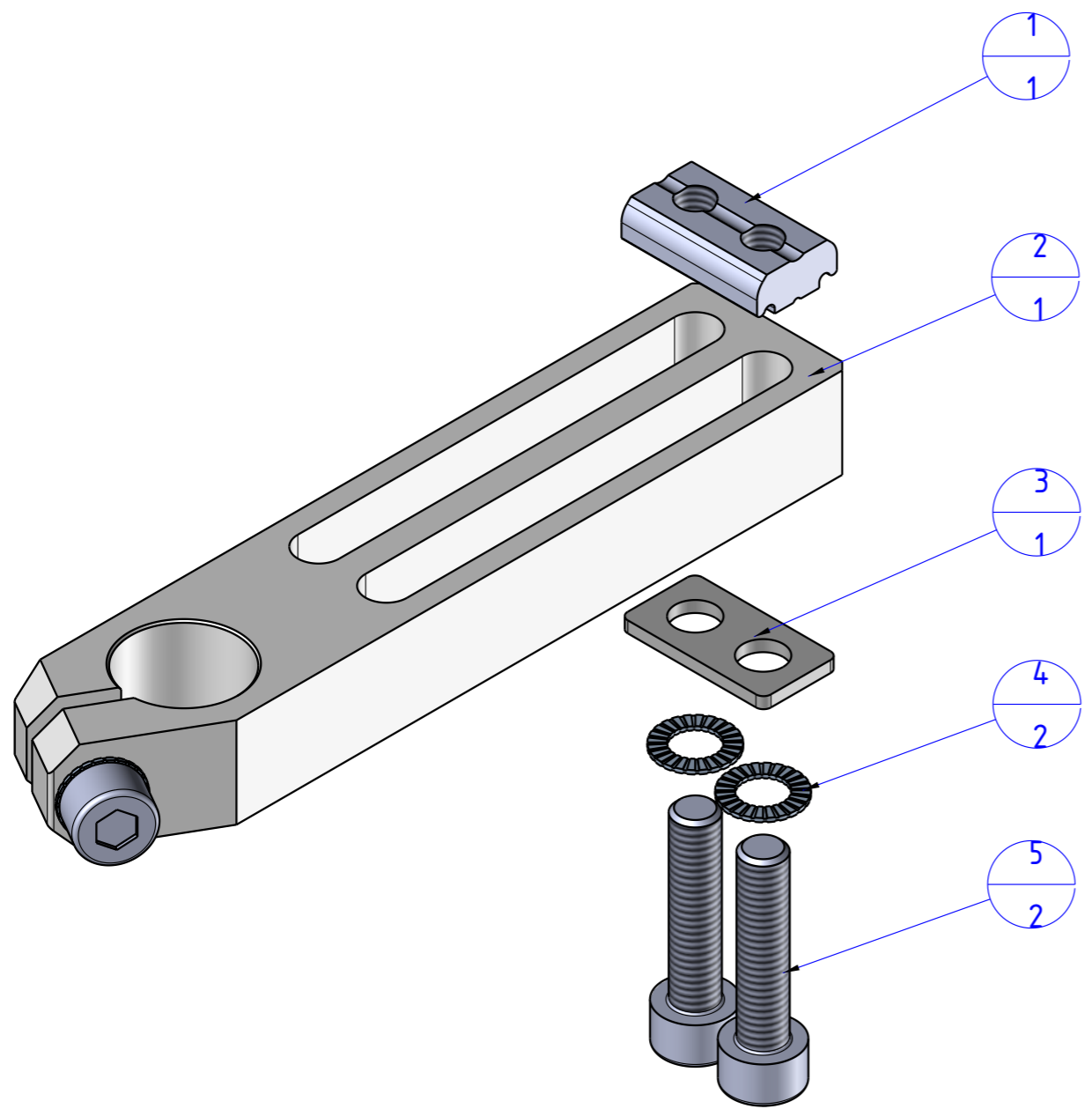

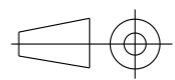


THE PROPERTY OF THE DRAWING IS ESTABLISHED BY LAW. IT IS FORBIDDEN TO PRODUCE OR SHOW IT TO THIRD PART. WITHOUT A WRITTEN AGREEMENT.

Item	Name	Q.ty
1	CA.GWP.5.9	1
2	CA.WSL.1450.VU	1
3	R.05.09	1
4	R.5.SCH	2
5	V.TCE5x22	2



Format A3  
UNI 936-76

 <b>FPS</b> <small>FPSERVICES AUTOMATION</small>			DESIGNED FROM <b>FPS Automation</b>	REVIEW <b>A</b>
GENERAL TOLERANCE UNI - ISO 2768 CLASSE f	DESCRIPTION CA.WSL.1450.VU.X	DATE -	WEIGHT 0,056kg	CODE CA.WSL.1450.VU.X